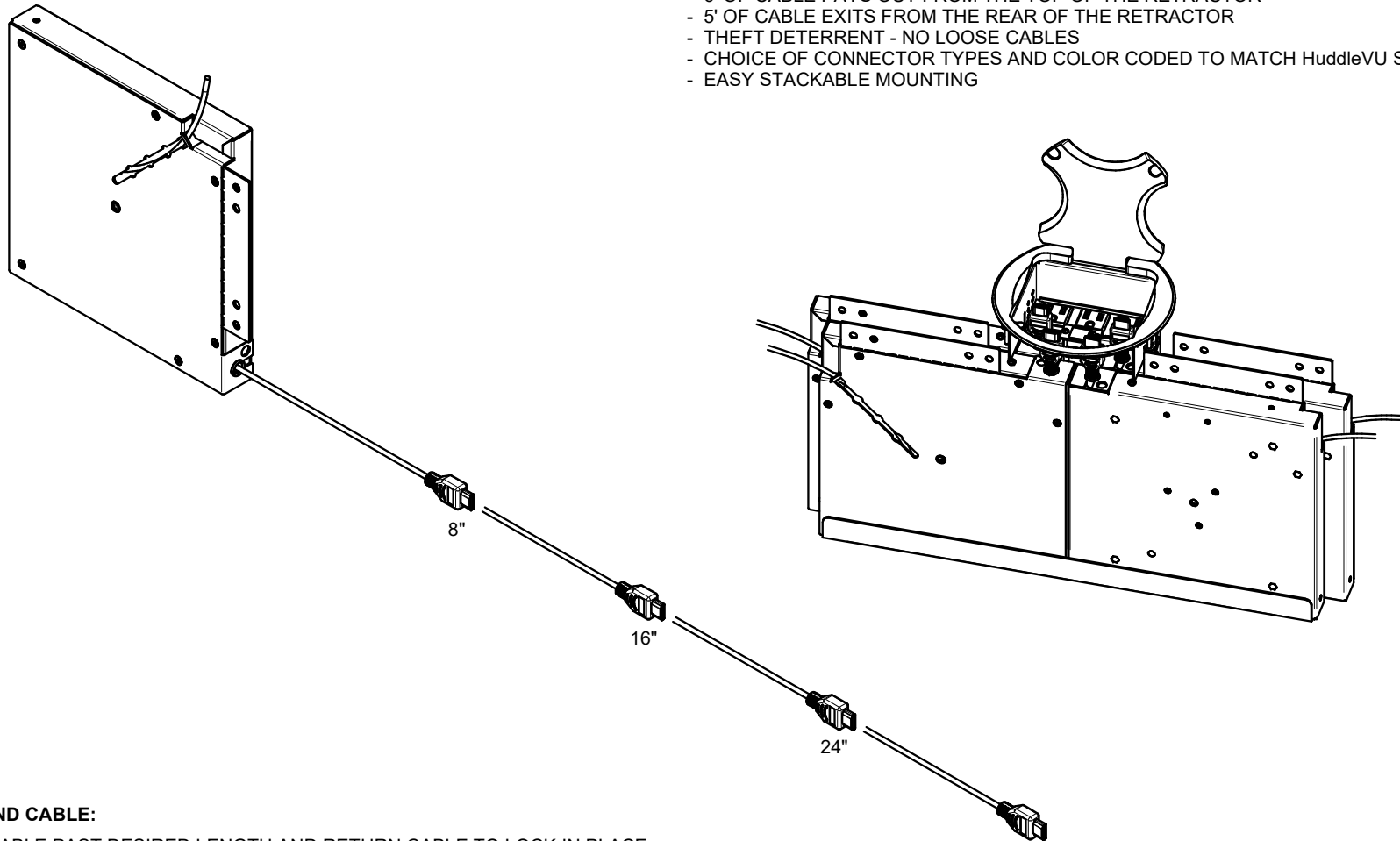




LP-TBRT Cable Retractor Operating Instructions

244 Bergen Boulevard, Woodland Park, NJ 07424, Phone: 973.785.4347 - Fax: 973.785.4207

- EASY USER ACCESS
- 6' OF CABLE PAYS OUT FROM THE TOP OF THE RETRACTOR
- 5' OF CABLE EXITS FROM THE REAR OF THE RETRACTOR
- THEFT DETERRENT - NO LOOSE CABLES
- CHOICE OF CONNECTOR TYPES AND COLOR CODED TO MATCH HuddleVU SYSTEMS
- EASY STACKABLE MOUNTING



TO EXTEND CABLE:

PULL CABLE PAST DESIRED LENGTH AND RETURN CABLE TO LOCK IN PLACE. CABLE WILL LOCK AT APPROXIMATELY 8" INTERVALS.

TO RETRACT CABLE:

PULL CABLE OUT APPROXIMATELY 2" AND GUIDE CONNECTOR BACK TO RETRACTOR. HOLD AND GUIDE CABLE END AT ALL TIMES TO PROTECT TABLE AND USER FROM ANY WHIPPING ACTION WHILE RETRACTING.

SEE INSTRUCTIONS FOR LP-TBRT MOUNTING BRACKETS FOR INSTALLATION DETAILS.

CABLE WILL
EXTEND UP TO 72"
IN APPROXIMATELY
8" INTERVALS